



National  
Qualifications  
2024

**X835/76/11**

**Graphic Communication  
Supplementary sheets**

THURSDAY, 16 MAY

9:00 AM – 11:30 AM

Supplementary sheets for use with question 1, question 2 (a) and question 3 (f) (i) to (v).



\* X 8 3 5 7 6 1 1 \*

Back



It's a car show that spans over 100 years . . .

. . . Come and see the transformation of land travel.

# Tour Dates

Dates	Dates
Glasgow - 22/11/22	Newcastle - 19/1/23
Edinburgh - 24/11/22	Erskine - 24/1/23
Dumfries - 27/11/22	Paisley - 26/1/23
Brighton - 29/11/22	Liverpool - 2/2/23
London - 5/12/22	Bristol - 13/2/23
Aberdeen - 20/12/22	Leeds - 17/2/23
Dundee - 6/1/23	Cardiff - 21/2/23

Vintage Cars - Good Food - Friendly People

Tickets available from 11/10/2022

[www.vintagecarshowuk.co.uk](http://www.vintagecarshowuk.co.uk)

Inside left

## Star of the show. . .

**E**que Otatium quia voluptatur, quo mos aborrov itatusda rtge conetur res et ut odignatus, iur sequid quam quam repta posam quis iligname nullabore, sitatie nosam quia quis sim aut eiunt mintion senihitatur sit evelestios moles es dolumque nem amr4 quidus quiat quatur ma poriti omnis explab iliatec tempersperis dolore.

**E**que Otatium quia voluptatur, quo mos aborrov itatusda conetur res et ut odignatus, iur sequid quam quam repta posam quis iligname nullabore, sitatie nosam quia quis sim aut eiunt mintion senihitatur sit evelestios moles es dolumque nem quidus quiat quatur ma poriti omnis explab iliatec tempersperis dolore veruptasdi nis expelit issundam nonse.





The UK  
Historical Community Presents:

# The UK Vintage Car Show



Inside right

## What is Vintage?



**H**ca que abit. Anum omnocae, publici is hortium, simusua in denarbi tudefen dampere, C. Oliur pare, unum ensupie rterfirimus confecibus pati peror audet fue mius poticae sillesum, cupionem in denarip sentemquerem verei patatil vidit; ina, quitritala vis. Isqua peratris, Castraedo, ego publiis, quam die int fori ideorat usulego vem ad iderobs estala mus initum prati, ductora cibuntia vilin tam ocasdam



**P**ca que abit. Anum omnocae, publici is hortium, simusua in denarbi tudefen dampere, C. Oliur pare, unum ensupie rterfirimus confecibus pati peror audet fue mius poticae sillesum, cupionem in denarip sentemquerem verei patatil vidit; ina, quitritala vis.

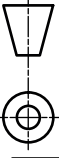


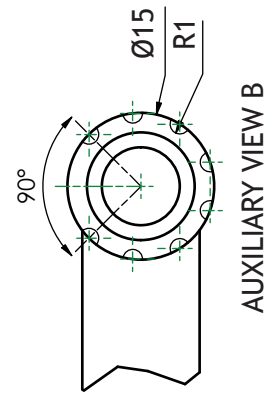
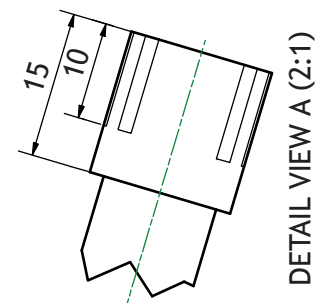
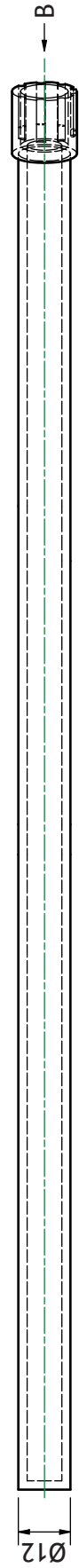
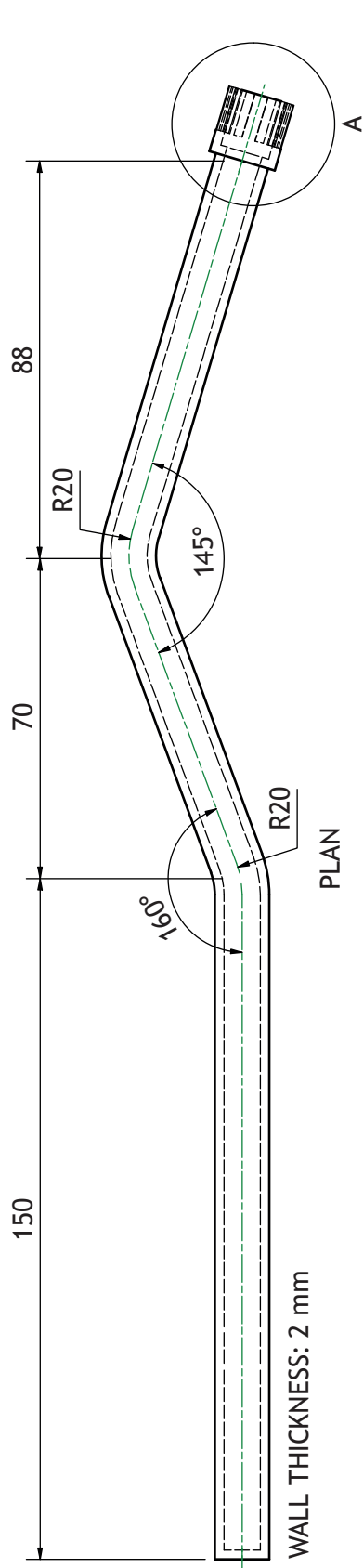
## Love letters.

*Sca que abit. Anum omnocae, publici is hortium, simusua in denarbi tudefen dampere, C. Oliur pare, unum ensupie rterfirimus confecibus pati peror audet fue mius poticae sillesum, cupionem in denarip sentemquerem verei patatil vidit; ina, quitritala vis. Isqua peratris, Castraedo, ego*



[www.vintagecarshowuk.co.uk](http://www.vintagecarshowuk.co.uk)

MAIN ARM  
 NOT TO SCALE  
 ALL SIZES IN MM  
  
 Some center lines have  
 been removed for clarity.





## Let's modernise your kitchen

Duis ac, lorem. Lorem ipsum dolor sit amet, consectetur adipiscing elit. Suspendisse potenti. Sed tincidunt varius viverra. Mauris vitae arcu sit amet quam condimentum pulvinar. Aenean arcu elit, accumsan id, consequat ornare, lobortis vitae, ligula. Quisque vitae velit ac sapien placerat suscipit. Donec mollis justo sed justo pellentesque

Mauris justo lorem, scelerisque sit amet, placerat sed, condimentum in, leo. Donec urna est, semper quis, auctor eget, ultrices in, purus. Etiam rutrum. Aliquam blandit dui a

Nulla tellus sem, viverra eu, ultricies ac, mattis et, velit. Maecenas quis magna. Ut viverra nisl eu ipsum. Maecenas rhoncus. Duis mattis nisi nec sapien. Nullam eu ante non enim tincidunt fringilla. Integer leo. Duis eget enim.

Curabitur felis erat, tempus eu, placerat et, pellentesque sed, purus. Sed sed diam. Nam nunc. Class aptent taciti sociosqu ad litora torquent per conubia nostra, per inceptos hymenaeos. Aenean risus est, porttitor vel, placerat sit amet, vestibulum sit amet, nibh. Ut

## Get a quote

Duis ac lorem. Lorem ipsum dolor sit amet, consectetur adipiscing elit. Suspendisse potenti. Sed tincidunt varius arcu.



Kalletta Kitchens



[BLANK PAGE]

DO NOT WRITE ON THIS PAGE

[BLANK PAGE]

DO NOT WRITE ON THIS PAGE

[BLANK PAGE]

DO NOT WRITE ON THIS PAGE

*Acknowledgement of copyright*

Question 1

'Tour Dates'

Image 1: Pexels.com

Image 2 (background): Pexels.com

'Star of the show...'

Image 1 (main photo): Arnie Watkins/Pexels.com

Image 2 (headlight): Markus Spiske/Pexels.com

Image 3 (rear light): Markus Spiske/Pexels.com

Image 4 (wing mirror): Arnie Watkins/Pexels.com

'The UK Vintage Car Show'

Image 1 (main photo): Shukhrat Umarov/Pexels.com

'What is Vintage?'

Image 1: George Sultan/Pexels.com

Image 2: Pexels.com

Image 3: George Sultan/Pexels.com

Image 4: Pexels.com